

Lumped Element

Patchable Cable Simulator

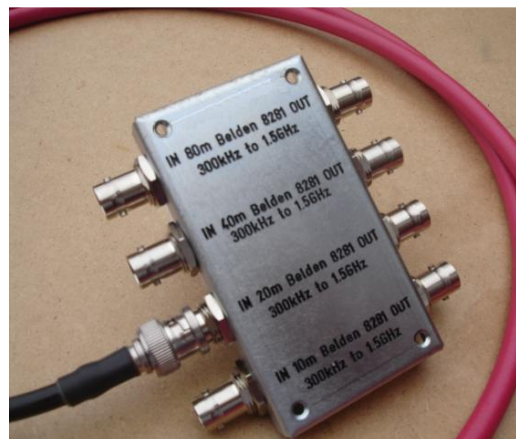
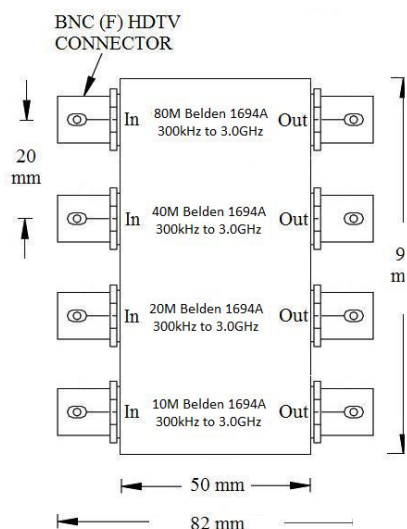
Belden 1694A 80m+40m+20m+10m 3.00GHz

Electrical Specification

Cable type	Belden 1694A	
Equivalent Cable Length	80m + 40m + 20m + 10m	
Cable loss deviation ¹	to 750MHz	to 3.0GHz
10m section	<1dB	<2dB
20m section	<1dB	<2dB
40m section	<1dB	<4dB
80m section	<1dB	<4dB
Return Loss	>20dB to 750MHz >15dB to 3.0 GHz	
Characteristic Impedance	75 ohms	

¹Measured against Belden 1694A published data

Outline Dimensions



RoHS Compliant in accordance with EU Directive (2002/95/EC)

Application

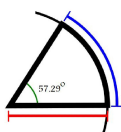
- Cable simulator for HD-SDI (1080p) 3G interfaces

Features

- Small size
- Simulates 150m of cable in 10m increments
- Accurate and repeatable measurements
- Lightweight and convenient

Environmental Ratings

- Temperature - 0 to 70°C
- Storage - 0 to 100°C



Raydian Ltd

Registered Office: 19 Kingfisher Grove, Stoke on Trent, United Kingdom, ST6 7QQ

www.raydian.co.uk

Telephone +(44) 1782 832418

sales@raydian.co.uk

PS1694A-150-302 iss A