

Lumped Element

## Patchable Cable Simulator

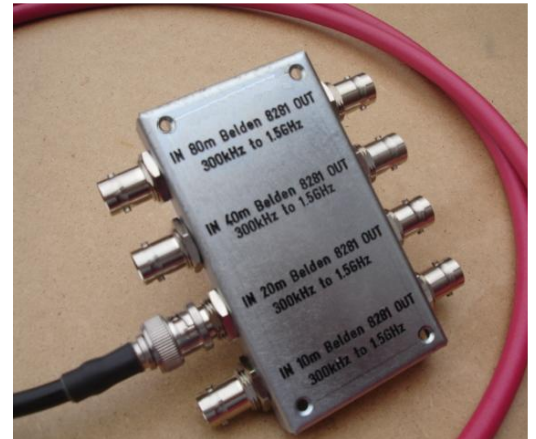
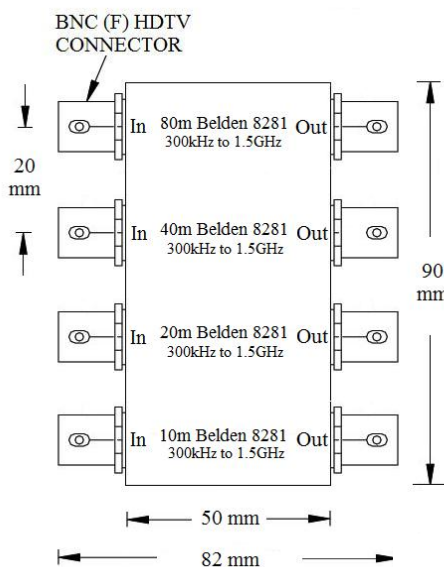
Belden 8281      80m+40m+20m+10m      1.5GHz

### Electrical Specification

Cable type	Belden 8281	
Equivalent Cable Length	80m + 40m + 20m + 10m	
Cable loss deviation <sup>1</sup>	to 750MHz	to 1.5GHz
10m section	<1dB	<2dB
20m section	<1dB	<2dB
40m section	<1dB	<4dB
80m section	<1dB	<4dB
Return Loss	>15dB to 2.25 GHz	
Characteristic Impedance	75 ohms	

<sup>1</sup>Measured against Belden 8281 published data

### Outline Dimensions



RoHS Compliant in accordance with EU Directive (2002/95/EC)

### Application

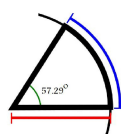
- Cable simulator for HD-SDI interfaces

### Features

- Small size
- Simulates 150m of cable in 10m increments
- Accurate and repeatable measurements
- Lightweight and convenient

### Environmental Ratings

- Temperature - 0 to 70°C
- Storage - 0 to 100°C



# Raydian Ltd

Registered Office: 19 Kingfisher Grove, Stoke on Trent, United Kingdom, ST6 7QQ

[www.raydian.co.uk](http://www.raydian.co.uk)

Telephone +(44) 1782 832418

[sales@raydian.co.uk](mailto:sales@raydian.co.uk)

PS8281-150-152 iss A